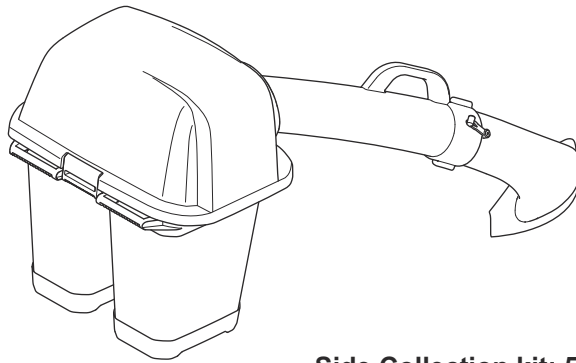




**Husqvarna®**

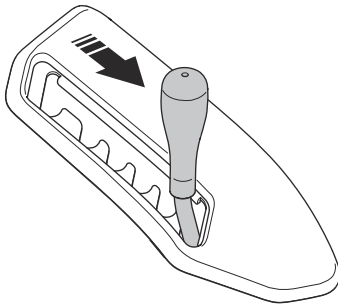
## **Husqvarna Attachments**

**Side Collection kit 547 28 93-01**

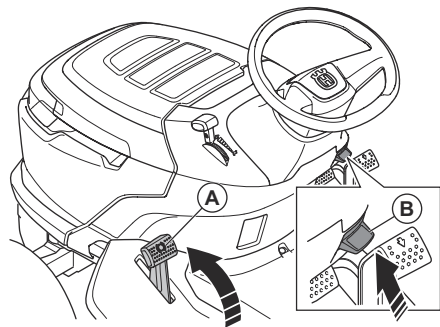


Side Collection kit: 547 28 93-01

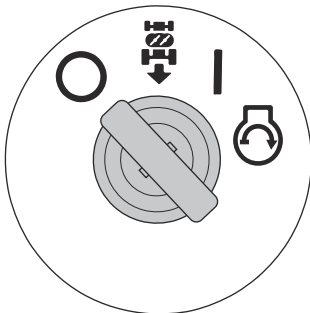
1



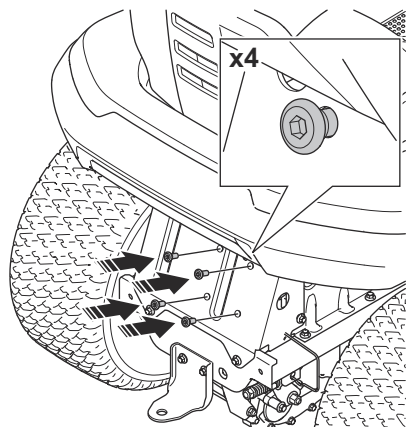
2

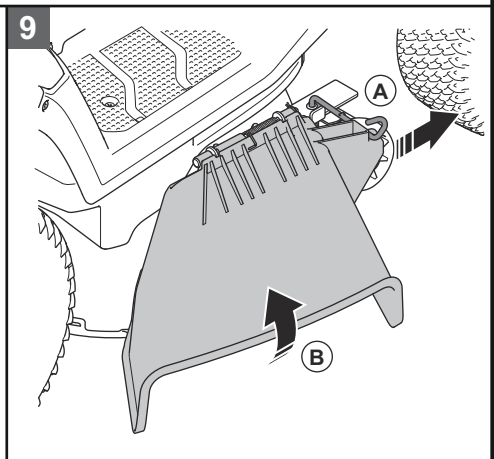
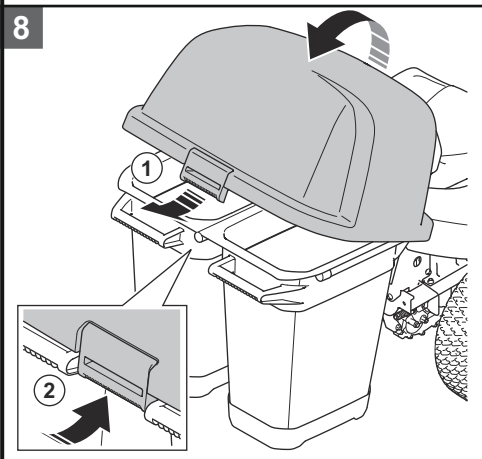
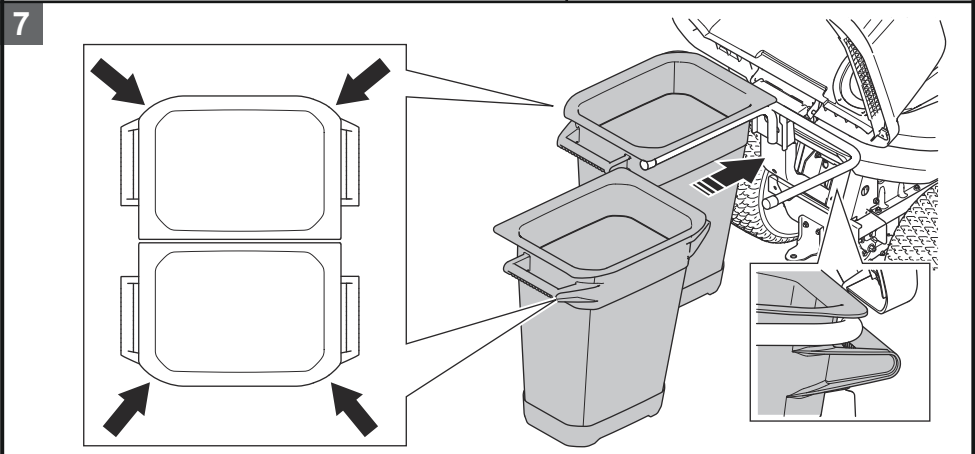
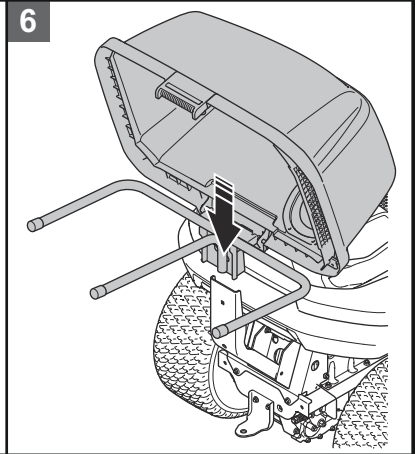
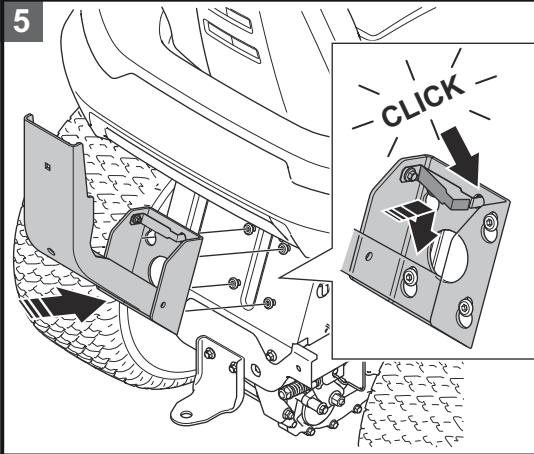


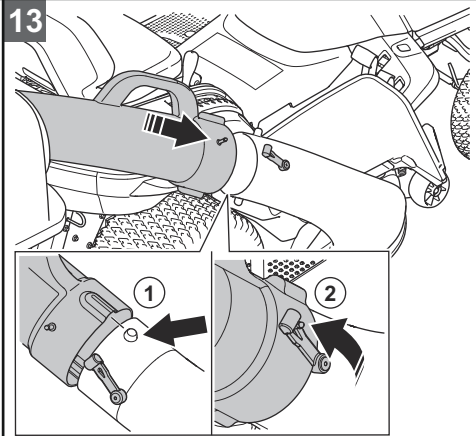
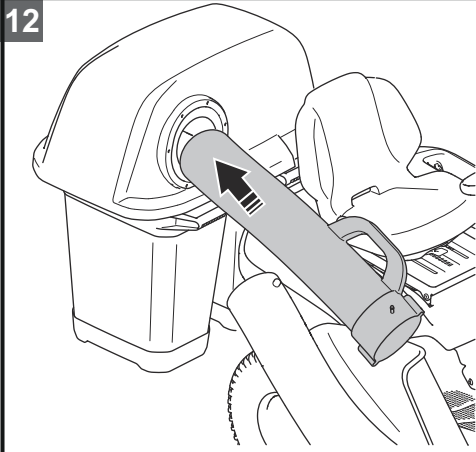
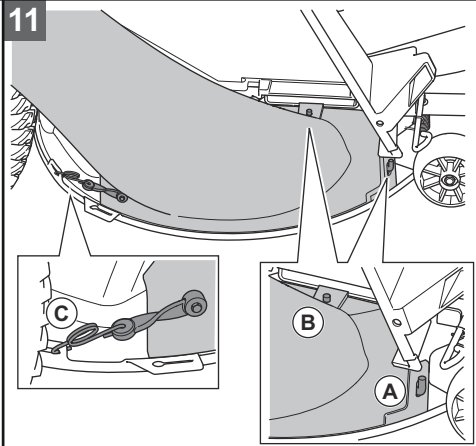
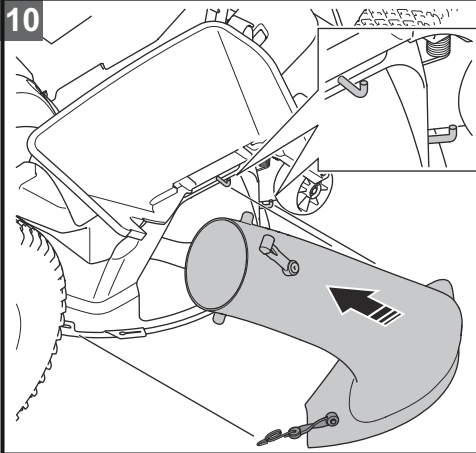
3

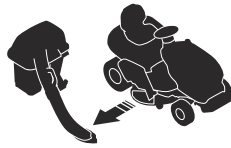


4

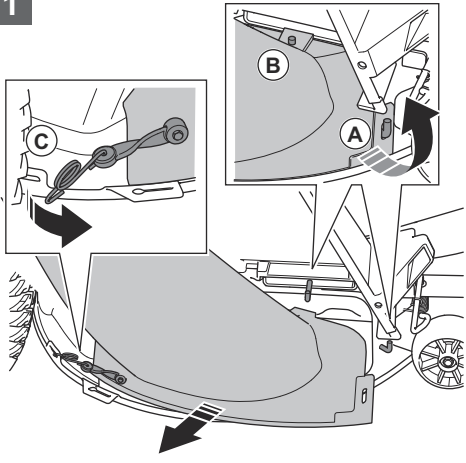








1







# Husqvarna®

[www.husqvarna.com](http://www.husqvarna.com)

Original instructions



1143973-38



2024-03-15